



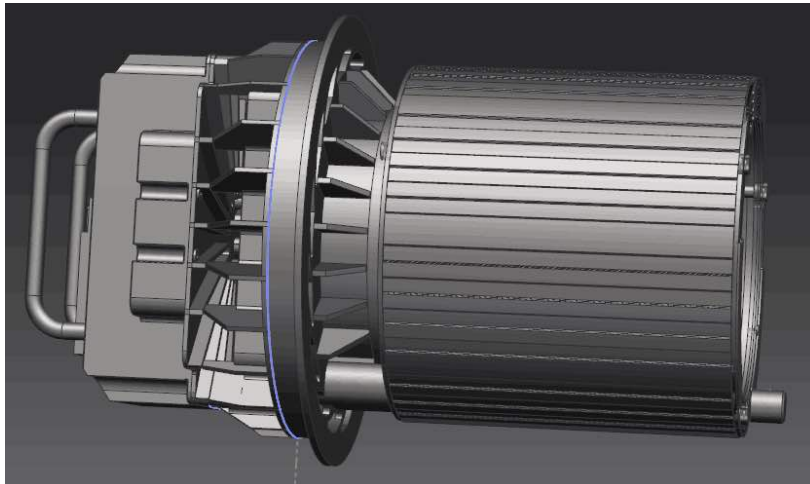
LINX JAPAN

LINX LED PAR LAMP

【 LED light source unit for PAR 64 】

INSTRUCTION MANUAL

Ver 1.05e



Thank you very much for purchasing the "LINX JAPAN" series product.

In order to use this product safely and correctly, please read this instruction manual thoroughly before using it.

LINX JAPAN CO., LTD.

Contents

1 . Features	1
2 . Explanation of warning contents	1
3 . For safe use	2
4 . Main unit display plate and display contents	4
5 . Name and usage of each parts	5
6 . Inspection and repair	10
7 . Specifications	11
8 . DMX channel	12
9 . Dimensions	14

1. Features

This product is an LED lamp module that can be mounted on existing PAR light. It can produce a clear beam like a shield beam sphere.


This product has protection grade IP65 so it can be used in outdoor events. Also, in order to dare to produce a sense of three-dimensional, there is a core on the irradiated surface.

- High power
Enough brightness required the stage and the studio.
- Core light
Three-dimensional display is possible by dare setting up the core without flattening the irradiation surface.
- Flexible beam angle
It is possible to change the beam angle from 16° to 53° by DMX control or manual operation. About 4 seconds from DMX control minimum to maximum beam angle.
- Improvement of quietness.
Ensure quietness by adopting low noise fans.
- Dimming curve
Three dimming curves corresponding to every scene are standard installed.
- Waterproof and dustproof
By adopting the waterproof and dustproof grade IP65, it can be used outdoors like conventional PAR light.

2. Explanation of warning contents

Warning is displayed on the light source body and instruction manual. Be sure to confirm the warning content before using the light source and use it safely.

Meaning of signal terminology

 警告Warning

In the event of incorrect handling, the possibility of death or serious injury by the user is assumed, if there is a high frequency of slight injury or property damage.

 注意Caution















In the case of incorrect handling, when the risk of minor injury is assumed by the user or only physical damage is assumed to occur

Warning display example



3. For safe use

Warning

-  It is a light source for stage or studio production. Please do not use it except for stage or studio production. It is not a product to be used as general illumination light source.
 -  Please use instruments matching the body weight of the light source. If you make a mistake in selecting the equipment to be installed, it will fall, causing physical damage and injury.
 -  When installing / setting the light source correctly install the minimum distance between the combustible material and the peripheral surface of the light source (excluding the irradiation direction) according to the main unit display and instruction manual. If it is too close to the specified distance, it may cause a fire.
 -  The distance between the light collecting type light source and the irradiated surface should be sufficient distance according to the main unit display and instruction manual. If it is too close to the specified distance, it may cause a fire of the irradiated object.
 -  Please do not give impact when moving / mounting. It may cause damage to the light source.
 -  There is a limit on the angle of use of the light source. Please use properly according to the main unit display and instruction manual. Beyond the use angle range, it causes breakage and short life of LED.
 -  Installation of light source. When installing, please install 'power cord and signal cable so that it does not touch the light source body. Contact may cause fire.
 -  Please do not touch the main body around with the bare hand while the light source is on and immediately after it is off. It may cause burns due to high temperature around the body.
 -  If it is used in an abnormal state such as smoke or a strange smell, it may cause fire or electric shock.
 -  Do not disassemble or modify the light source without permission. It may cause malfunction, electric shock or fire. If you decompose it for inevitable repair, please follow the instructions of the maintenance manual.
 -  In case of abnormality, turn off the power immediately and confirm that the abnormal condition has subsided before investigating the cause. If you can not easily investigate the cause, please ask us for repair.
 -  This light source is a precision instrument. Please do not give a shock. It may cause a malfunction. Be sure to operate by hand.
 -  When using it simultaneously with a halogen light source etc., please keep it away from this light source sufficiently. Damaged due to heat • May cause dissolution.
 -  Installation in places subject to violent vibration, where there is constant vibration. Please do not install. Doing so may cause physical damage or injury.
-



Caution

1. Usage environment · Conditions of use.

- This light source is used indoors outdoors. When using outdoors, please within IP65 compliance range. Using it in a submerged condition may cause electric shock or malfunction.
- Please use this light source below the maximum ambient temperature. It may cause breakage, deformation, fire and flickering / non-lighting of LED.
- Please do not use in an unstable place or near burning ones. Fall or fall, resulting in fire or injury.

2. About installation

- Be sure to read the instruction manual or warning notice carefully before mounting the light source. Also, please keep it carefully after reading and use it when you need it.
- Installation of the light source should be done by an expert such as "stage / television lighting engineer skill qualified person". There is a possibility that mistakes can be caused by correspondence only by unskilled persons.
- Please do installation installation under the control of the chief electrical engineer. Please work with the qualified electrician for work to connect the wires to each other.
- There is a direction in the installation of the light source. Please install correctly according to the main unit display and instruction manual. Installation other than specified may cause damage to the light source, fire or injury.
- For attaching the light source, please attach the drop prevention wire of the light source body properly according to the instruction manual. If it is not installed securely, damage to the mounting bracket may cause the light source to fall, causing physical damage and injury.

3. About preparation before use.

- Be sure to read the instruction manual or warning notice carefully before using the light source. Also, please keep it carefully after reading and use it when you need it.
- Preparation before using the light source must be done by an expert such as "stage / television lighting engineer qualified person". Correspondence only to those who are not skilled may cause mistakes.
- Please make sure power connection according to the instruction manual. If the connection is incomplete, it may cause fire due to contact failure.

4. About usage

- When handling the light source, please do so by an expert such as "stage / TV lighting engineer qualified person". Correspondence of immature people alone may cause mistakes.
- There is a direction to attach the light source. Please install correctly according to the main unit display and instruction manual. Installation other than specified may cause damage to the light source, fire or injury.
- For attaching the light source, please attach the drop prevention wire of the light source body properly according to the instruction manual. If it is not installed securely, damage to the mounting bracket may cause the light source to fall, causing physical damage and injury.
- Please do not use the light source by removing the lens housing parts (lens, filter etc.). L E D element and power supply unit are exposed, which may cause electric shock or fire.
- After a natural disaster such as an earthquake, experts such as "stage / television lighting engineer skill qualified person" should inspect before reuse. Correspondence only by unskilled persons may cause mistakes.

5. About maintenance and inspection

- Please carry out daily inspection of the light source. As a result of inspection, if the criteria described in the instruction manual are missed, please take action according to the instruction manual.
- Please inspect the light source by experts such as "stage / television lighting engineer skill qualified person". Correspondence only by unskilled persons may cause mistakes.
- Always turn off the power when replacing parts or cleaning. If you do not turn off the power, you may get an electric shock.
- Check the power cords and connectors on a daily basis and if they are out of the standards described in the instruction manual as a result of inspections, please take action according to the instruction manual. It may cause electric shock or fire.
- Check the lens unit for cracks on a daily basis, and if it is out of the criteria described in the instruction manual as a result of inspection, please take measures according to the instruction manual. The lens unit falls, causing physical damage and injury.
- Screws of the light source may loosen due to vibration etc. Please take action according to the instruction manual. Failure to do so may result in loss of property due to falling.
- Please do not use it while dust and confetti are accumulated, please clean. It may cause a fire.
- Please use genuine parts designated by our company for replacement parts, please replace reliably according to the instruction manual. It may cause deterioration of the function of the light source, electric shock, fire.

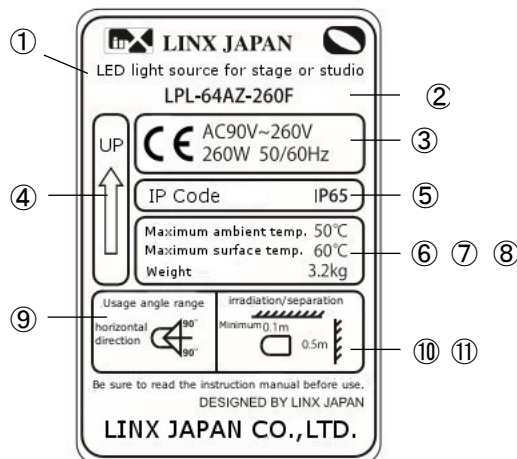
6. About storage

- Please do not keep it in a dusty place or in an environment with high humidity and condensation easily. It may cause failure / insulation failure.
- Please keep it so as not to damage the lens housing part. It may cause the effect of safety shield to be lost.
- Please keep the light source sideways without standing. Doing so could result in injury or damage.
- When reusing, be sure to perform inspection before using. It may cause electric shock or fire.
- Since the protection arm is intended to protect the display unit, there is a danger of damage if you hold it with a strong force.

4. Main unit display plate and display contents

The following nameplate is displayed on the body of the LED light source.
When handling, be sure to check the contents, please use safely.

4.1 Main unit display name plate

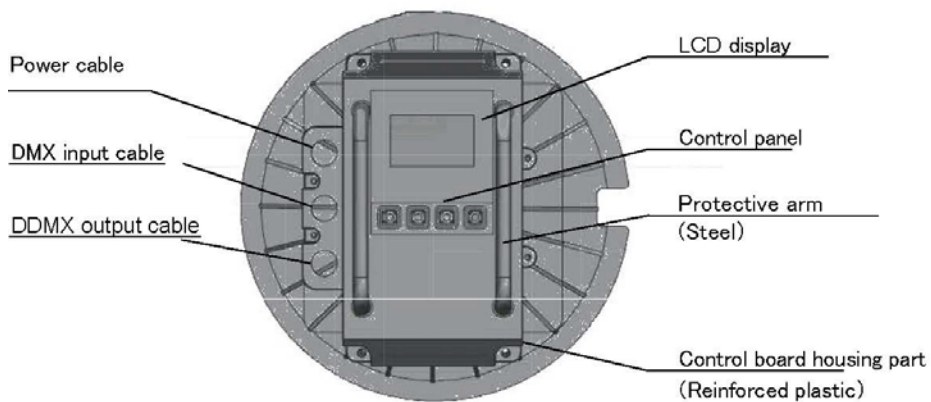
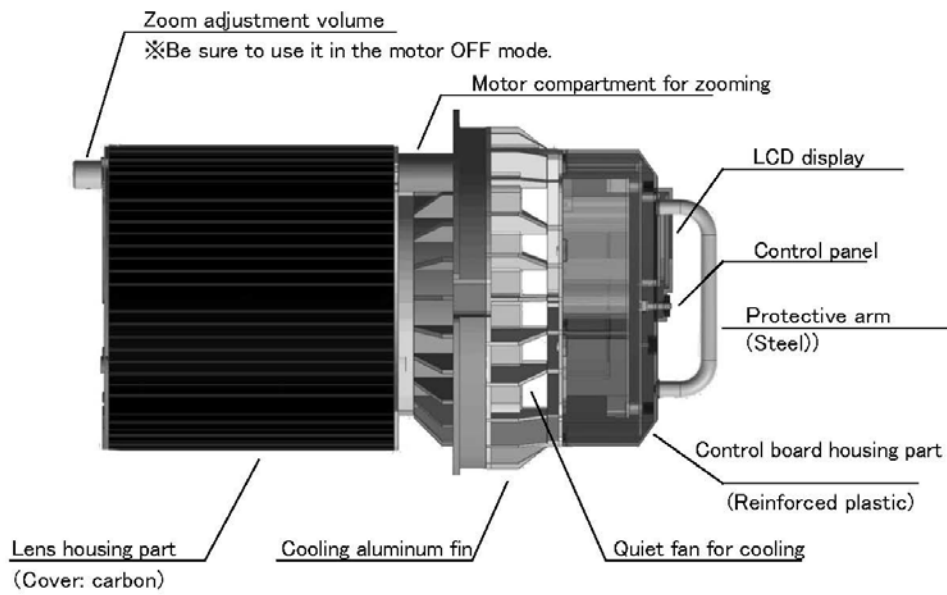


4.2 Contents displayed

① Use	it is an LED light source for stage or studio space lighting. Please do not use it other than the purpose of the stage or studio space.
② Model Number	The model number (model name) is displayed.
③ Legal indication	Manufacturer name under the provisions of the Electrical Appliance and Material Safety Law "" Rated Voltage "" Rated Frequency "" Rated Power Consumption "" Product Responsibility Mark "" is displayed.
④ Upper direction display	The upward direction of the light source is indicated. Make sure to mount with the direction of the arrow facing up.
⑤ IP Code	It shows the grade for the degree of waterproofing and dustproof specified by ICE (International Electrotechnical Committee) and JIS (Japanese Industrial Standards).
⑥ Maximum ambient temperature	The maximum ambient temperature which can be operated continuously under normal use condition is indicated.
⑦ Maximum surface temperature	The maximum value of the external surface temperature when continuously lit in the use angle range is displayed.
⑧ Weight	Other light source body mass not including accessories is displayed.
⑨ Usage angle range	Usage angle range relative to the reference direction is displayed. Please use within an allowable range.
⑩ Minimum irradiation distance	The minimum distance at which the temperature of the object to be irradiated (black board) reaches 90 ° C is displayed when it is continuously lit in normal use state.
⑪ Minimum separation distance	The minimum distance at which the temperature of inflammable material (black board) reaches 90 ° C is displayed when lighting continuously under normal use conditions.
⑫ Serial number	It is described in the product main body.

5. Name and usage of each parts

5.1 Name of each parts



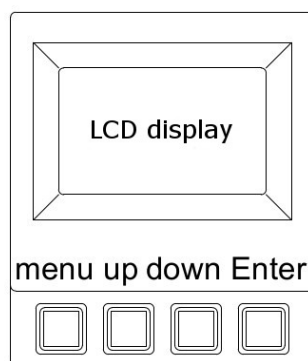
5.2 Notes on input power supply

⚠ Caution

- ⚠ It is not possible to use the dimmer output (including non-dim output) as the power supply.
When lighting with dimming output (including non-dim output), the dimmer may malfunction.
In addition, there is a possibility of malfunction of dimmer / light source.
- ※When connecting to a AC power supply / pure circuit
Rated input voltage is AC 95 V to 240 V 50/60 Hz.
Please use within this range.

5.3 Method of operation

(1) Control Panel Component Name and Description



- 1 . Press the menu button to make the cursor blink.
- 2 . Use the up and down buttons to select an item.
- 3 . Press the ENTER button once at the item you want to change, then change it with the up, down button and press the Enter button again to decide.
Press menu button to exit setting mode.
※Please make sure that the cursor on the screen is not blinking.
- 4 . To enter Manual mode, press the ENTER button at the numeric data of Manual to automatically enter Manual mode.
Use the up and down buttons to change to an arbitrary number and press the Enter button to decide.
- 5 . To enter the DMX mode, press the ENTER button twice at the numeric data of DMX to switch to DMX mode.
Press menu button to exit setting mode.
※Make sure that the cursor is not blinking and the character of DMX is black and white inverted.

Numerical data can be moved quickly with long press.

Numbers set in Manual mode are memorized even if the power is turned off.

※The zoom moves for the initial position detection when the power is turned on, but it automatically returns to the set position when the initialization is completed.

Zoom Manual operation and motor failure

When you want to fix the zoom manually or when the motor breaks down, you can zoom with the knob at the tip of the lens.

However, in that case, be sure to press the UP button on the control panel for more than 10 seconds and turn off the motor. Mot: OFF is displayed.

To return, press the DOWN button for 10 seconds or longer, the lens starts to detect the initial position, and when the sound becomes quiet the display changes to Mot: 000.

※Operating without turning it OFF may cause failure.

※Please operate when screen cursor not flashing.

5.4 Mounting method.

(2) Installation of LED light source unit to par light.

(i) Advance preparation.

- ① Please remove the fall prevention net of par light first.
- ② Please remove socket and unnecessary wiring.

(ii) Installation of LED light source unit.

- ① Open the lid on the rear side of the par light and remove the light bulb holding spring.
- ② Please slowly insert the LED light source unit with the lens facing down so that the protrusion of the stopper of the rear cover coincides with the disk notch of the LED light source unit.
- ③ When the LED light source unit enters to the lamp mounting position, rotate it and align the operation panel.

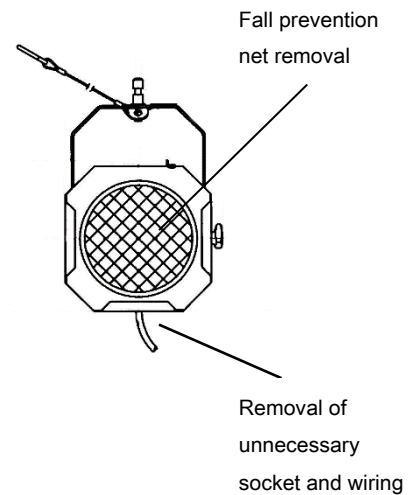
- ④ Please fix the LED light source unit with bulb holding spring.

In that case, if there is a gap between the light bulb press spring fixing position and the disk of the LED light source unit, please attach the supplied urethane tape and adjust. You can adjust the height by pasting multiple sheets one on top of another.

✕At this time, if there is a gap, the LED light source unit will not be fixed at the center position of the par light.

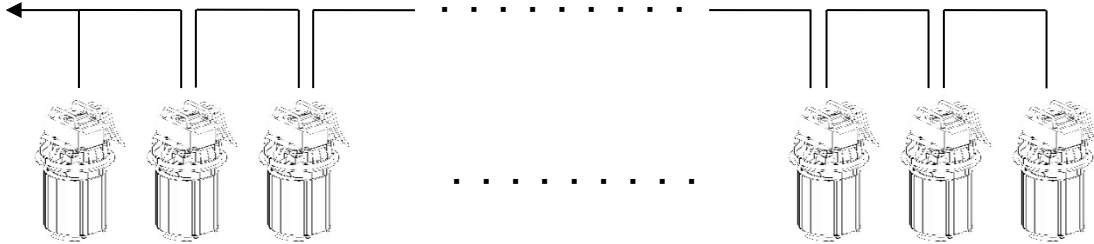
- ⑤ Before closing the rear cover, please pull out the power cord, the DMX cable, the fall prevention wire from the hole of the rear cover.

After that, the rear cover is closed and installation is completed.



5.5 DMX connection method between LED light source units.

This product can be connected up to 30 units at maximum.



5.6 Method for cleaning lens and diffusion filter

If the lens becomes dirty, it may cause deterioration of illuminance, deterioration / damage of parts. Please clean up in a timely manner. When cleaning, please unplug the LED light source unit.

(1) Lens housing part

- ① Please remove the lens cover part.
- ② To make cleaning easier, turn the zoom manual adjustment volume all the way and move the lens to the front side.
- ③ Please wipe the surface lightly with a soft cloth etc. Please pay dust on the surface of the diffusion filter.
- ④ Please attach the lens cover part.

Caution

- Please do not use organic solvent such as thinner and alcohol.
 - When wiping the lens, wipe the surface gently without putting too much force on it.
 - If you rub with the surface of the diffusion filter strongly with a dry cloth, static electricity is generated by friction and dust floating in the air adheres and scratches easily, so it is necessary to be careful.
Also, be careful if you press the lens surface strongly, it will come off the frame.
-

Caution

- When pulling out the plug, always hold the plug and do not have the power cord, please pull it out.
 - This product is a precision instrument. Please do not give a shock. There is a possibility of damage, non-lighting · flicker and abnormal noise etc. occur. Please be sure to operate by hand.
 - When using it simultaneously with a halogen light source etc, please keep it far enough from this product. It may cause breakage / dissolution by heat.
 - If the D M X signal is interrupted during use, the previous signal is maintained.
 - In order to maintain drip-proof performance, we recommend that you exchange waterproof packings regularly.
-
-

6 Inspection and repair

6.1 Recommended daily inspection and maintenance

The service life of this product varies depending on the installation environment, handling condition, and maintenance management state. Please carry out maintenance check and maintenance proper according to the following inspection items. The minimum holding period of the repair parts is seven years after the manufacturing cutoff.

- (1) To maintain the performance of the illumination light source you purchased for a long time and ensure safety, please check and take measures according to the following daily inspection checklist.

- (2) Daily checklist and action.

Classification	Inspection items	Daily maintenance			Request
		Retightening	Cleaning	replacement	Repair
light source	Is there abnormal deformation / damage of the main unit?			○	
	Is there any abnormality in the operation tightening of the angle adjuster?	○			
	Is there dust or confetti in the product?。		○		
	Is there any loose screws?	○			
	Does it light up?				○
Fall prevention wire	Is there damage to the mounting bracket?			○	
	Is the wire damaged?			○	
	Is there a damage to the fall prevention metal fitting?			○	
Lens	Is it cracked or damaged?			○	
	Is not it dirty?		○		
Power cord	Is there any discoloration / crack / deformation?			○	
Plug	Is there any discoloration or			○	
	Is there a problem with the mounting/dismounting state?。			○	
Manual operation	Can you perform dimming operation manually?				○
Diffusion filter	Is there any discoloration, damage or deformation?			○	

6.2 Periodic inspection is recommended.

- (1) There is a drop in parts and insulation which is worn out and deteriorated depending on the aged deterioration in the use period or depending on the situation of use, so it is recommended to check periodically by specialized technicians.

- (2) Periodic inspection, we recommend a maintenance check contract.

Inspection contents and inspection cycle are carried out based on the maintenance inspection contract.

6.3 Repair

- (1) Judgment of repair

As a result of checking based on the daily inspection check list above, if there is a need for repair request, and if there is more than others please request repair.

- (2) Parts removed for repair will be accepted by us if there is no offer.

- (3) When repairing, we may use reusable parts that conform to our quality standards.

- (4) Please contact us for repair.

7. Specifications

7.1 Specifications

Model number	LPL-64AZ-260-F	LPL-64AZ-220-WW	LPL-64AZ-220-CW
Lens	Diffusing lens		
Input voltage (V)	AC95~240V(non-dimmer only)		
Power dissipation (W)	260	220	220
Power frequency (H z)	50/60		
Power frequency (K) ※1	RGBW	3,200	6,000
General colorrendering index (Ra) ※1	-	96	96
LED light source life (h)	Depends on usage environment.		
Use angle range (tilt)	±90°		
Maximum ambient temperature (°C)	50°		
Maximum surface temperature (°C)	60°		
Minimum irradiation distance (m)	0.5		
Minimum spacing distance (m)	0.1		
Dimming range (%)	0-100		
Dimming method	DMX512 ※2 / Manual		
Weight (kg)	3.2Kg (7lb)		
Material	Aluminum die-cast 、 Polycarbonate		
International protection	IP65		
Power supply plug	Not included		
Power cord	2PNCT(Flexible cable)		
Signal cable	DMX512 cable IN/OUT 0.8m×2 IP67 waterproof plug and connector		
Accessories	Urethane tape for position adjustment × 4		

- This specification represents our standard specification.
- Please use our genuine parts for replacement parts and consumable parts.
- There are variations in the LED elements, even in the same model name, color and brightness may be different.

※1 It is a test value under temperature 25 ° C environment, not guaranteed value.

※2 Compliant with USITT DMX 512-A

8. DMX Channel table.

8.1 LPL-64AZ-260-F (Full color)

Control channel 4ch mode

DMX channel	Function	Contents	DMX level
1	Red	Color control	0-255
2	Green	Color control	0-255
3	Blue	Color control	0-255
4	White	Color control	0-255

Control channel 5ch mode

DMX channel	Function	Contents	DMX level
1	Master	Dimmer control	0-255
2	Red	Color control	0-255
3	Green	Color control	0-255
4	Blue	Color control	0-255
5	White	Color control	0-255

Control channel 6ch mode

DMX channel	Function	Contents	DMX level
1	Master	Dimmer control	0-255
2	Red	Color control	0-255
3	Green	Color control	0-255
4	blue	Color control	0-255
5	White	Color control	0-255
6	Strobe	Strobe effect	0-255

Control channel 7ch mode

DMX channel	Function	Contents	DMX level
1	Master	Dimmer control	0-255
2	Red	Color control	0-255
3	Green	Color control	0-255
4	Blue	Color control	0-255
5	White	Color control	0-255
6	Strobe	Strobe effect	0-255
7	zoom	Lens Zoom	0-255

Control channel 8ch mode

DMX channel	Function	Contents	DMX level
1	Master	Dimmer control	0-255
2	Red	Color control	0-255
3	Green	Color control	0-255
4	Blue	Color control	0-255
5	White	Color control	0-255
6	Strobe	Strobe effect	0-255
7	zoom	Lens Zoom	0-255
8	FAN	0:auto 1-127:50% 129-250:30%	0-255

8.2 LPL-64AZ-220-WW (Warm white)

LPL-64AZ-220-CW (Cool white)

Control channel 1ch mode

DMX channel	Function	Contents	DMX level
1	Master	Dimmer control	0-255

Control channel 2ch mode

DMX channel	Function	Contents	DMX level
1	Master	Dimmer control	0-255
2	Strobe	Strobe effect	0-255

Control channel 3ch mode

DMX channel	Function	Contents	DMX level
1	Master	Dimmer control	0-255
2	Strobe	Strobe effect	0-255
3	Zoom	Lens Zoom	0-255

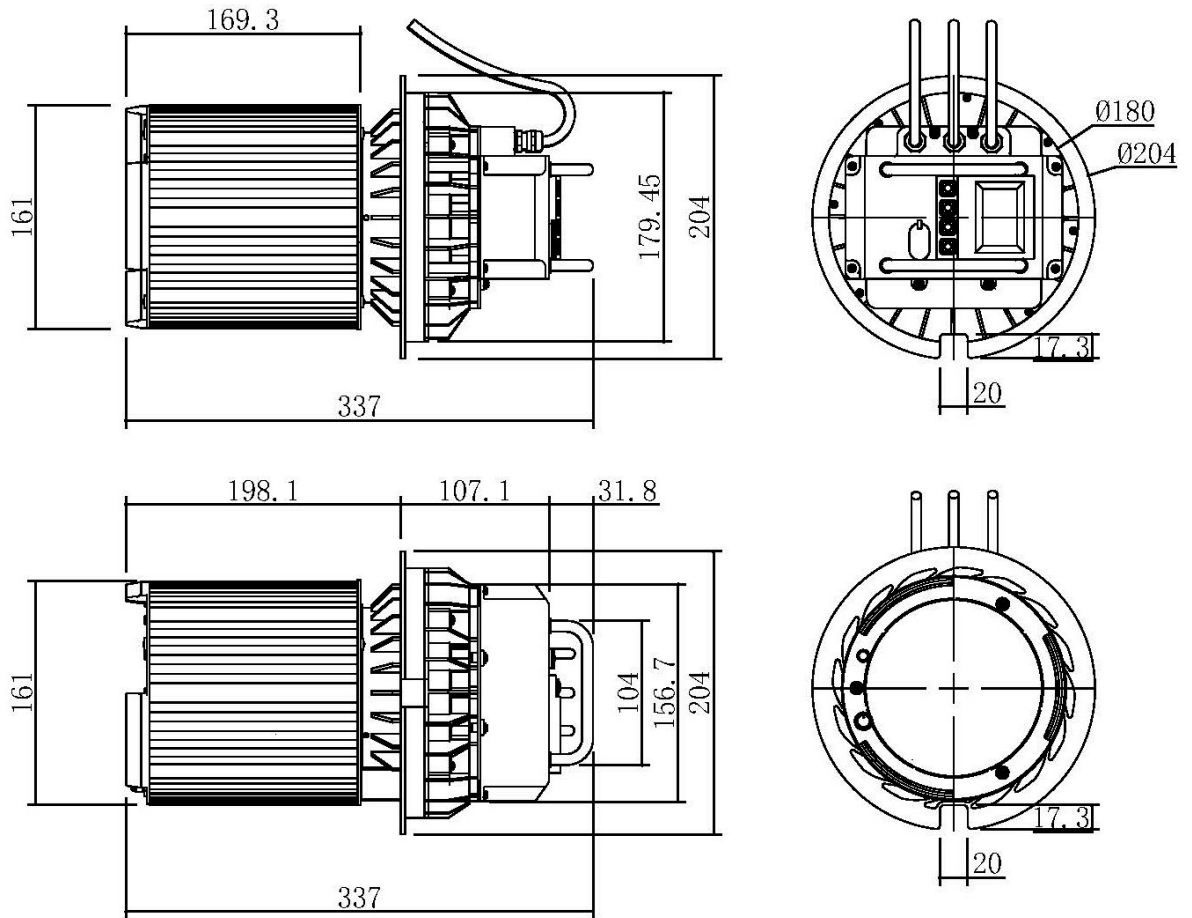
Control channel 4ch mode

DMX channel	Function	Contents	DMX level
1	Master	Dimmer control	0-255
2	Strobe	Strobe effect	0-255
3	Zoom	Lens Zoom	0-255
4	Delay	Delay	0-255

Control channel 5ch mode

DMX channel	Function	Contents	DMX level
1	Master	Dimmer control	0-255
2	Strobe	Strobe effect	0-255
3	Zoom	Lens Zoom	0-255
4	Delay	Delay	0-255
5	FAN	0:auto 1-127:50% 129-250:30%	0-255

9. Dimensions



* Specifications and appearance are subject to change without notice for improvement.

About guarantee

· The warranty period is one year from the date of purchase of the item. We will repair free of charge in case of breakdown within the warranty period in accordance with the instruction manual, instructions attached to the main body attached labels etc.

※Warranty exception

24 hour For a long time use of more than 10 hours a day, such as continuous use, it shall be half of the above.

Disclaimer of warranty

1. Even within the warranty period, in principle, we will charge for the following cases.

- (1) Failure and damage due to errors in use and improper repair or remodeling
- (2) Failure and damage due to installation, relocation, transportation, falling after purchase.
- (3) Failure and damage due to fire, earthquake, flood damage, lightning strike, other natural disasters, abnormal voltage, unspecified power supply (voltage, frequency).
- (4) Failure and damage occurring when mounted on a vehicle, a ship, etc.
- (5) Breakdown due to improper installation
- (6) Failure and damage due to not performing the maintenance check required by the instruction manual.
- (7) Failure and damage due to use outside the country of purchase.

2. If you make a business trip repair, you will be charged the actual expenses required for a business trip.

When requested for repair

· During the warranty period, please offer to the purchase dealer (construction shop) along with items that can specify the date of purchase.

· When the warranty period has passed, consult your dealer (construction shop).

If the function can be maintained by repair, we will repair upon request. However, it will be charged.

· For questions about after-sales service and consultation on repair, please contact your purchase dealer (construction store). In that case please do not forget to inform us of the model name and purchase date of the light source.

If you have any questions about repair / handling / care, please consult your dealer

If you can not consult a dealer, please contact the following window.

LINX JAPAN CO., LTD.

Kitashinagawa, Shinagawa-ku, Tokyo, 140-0001, Japan

TEL (03)XXXX-XXXX FAX (03)XXXX-XXXX

Please be sure to save it even after reading.